

Code:107-4



Golden
World
Trading
Group

www.GoldenWTG.org

赛福乐® 齿轮油泵 SEAFLO® Gear Pump

主要用途：汽油齿轮泵、柴油齿轮泵、润滑油齿轮泵、其它带粘性油齿轮泵

Application:

Oil gear pump
Diesel gear pump
Lubricant gear pump
Viscous liquids gear pump

Features:

- ▶ Self-priming gear electric pumps suitable for lubricants and viscous liquids
- ▶ Rugged bronze body and stainless steel shaft
- ▶ Pumps are built in for intermittent use
- ▶ Can be mounted on any position



GPF001

TECHNICAL DATA

Model	Volt (v)	Flow (lpm/gpm)	Max. Lift (m)	Amp Draw(A)	Max Draw(A)	Packing Size (mm)	N.W/G.W (kg)
SFGP1-032-003-01	12	12.0/3.2	3	7.0	10.0	215*135*110	2.48/2.68
SFGP2-032-003-01	24	12.0/3.2	3	4.0	6.0	215*135*110	2.48/2.68

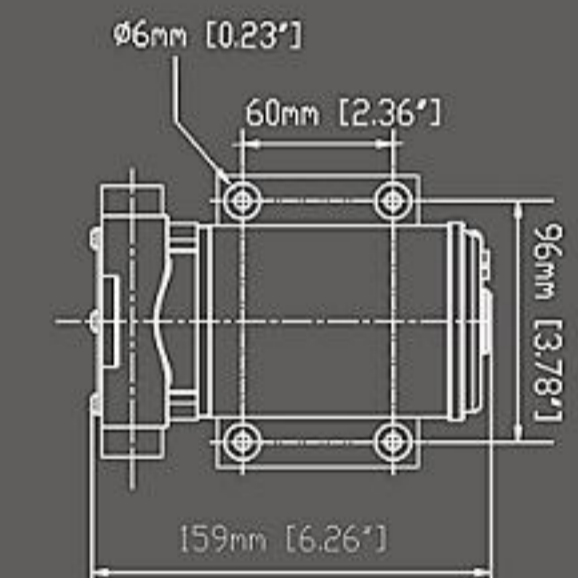
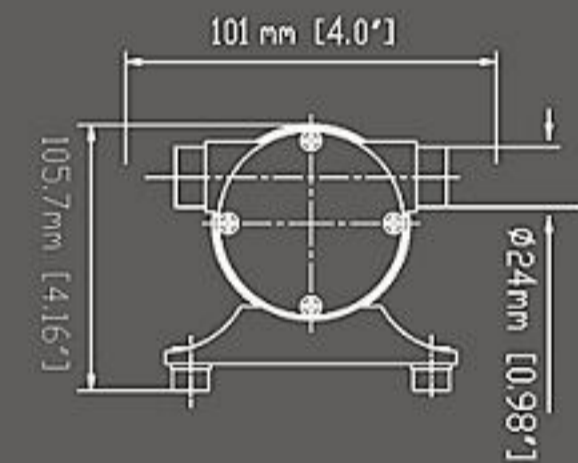
赛福乐® 自吸舱底泵 SEAFLO® Self-priming Bilge Pump

主要用途：游艇舱底排水抽除舱底污水、甲板清洗等

Application: Can be used widely, including drainage bilge water, sewage water and wash down deck

Features:

476GPH (30LPM) output at 3m (10ft) total head
Simple design means fewer wearing parts-all user serviceable
Easy installation
Bilge debris presents no problem to this bronze bodied, flexible impeller design



TECHNICAL DATA

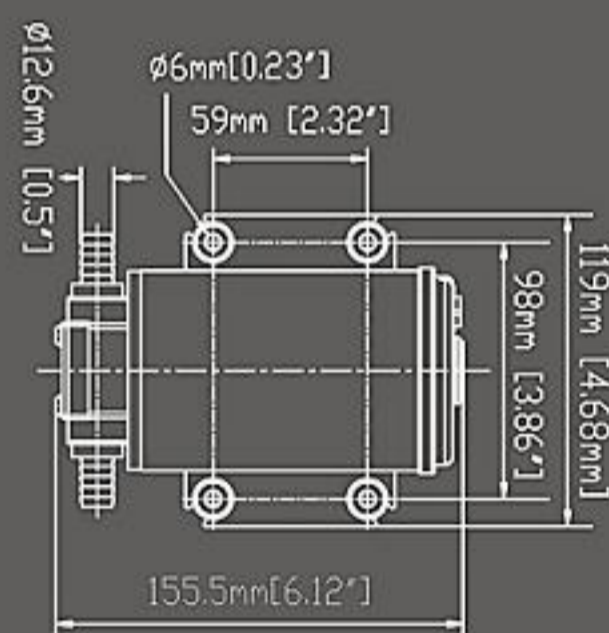
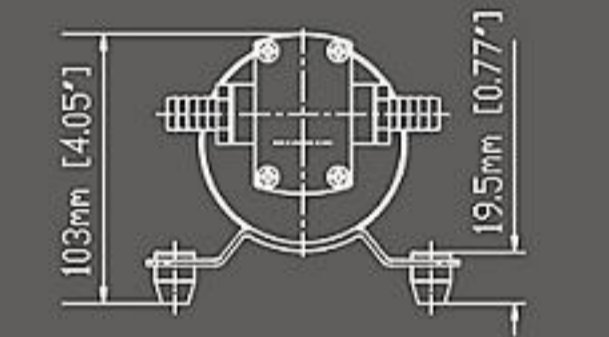
Model	Volt (v)	Flow (lpm/gpm)	Max. Lift (m)	Amp Draw(A)	Max Draw(A)	Packing Size (mm)	N.W/G.W (kg)
SFSP1-476-003-01	12	30.0/476	3	8.0	10.0	215*135*110	2.38/2.58
SFSP2-476-003-01	24	30.0/476	3	5.0	7.0	215*135*110	2.38/2.58

产品注意事项：

需要安装在干燥通风处
不可干运转，最好是和控制面板一起配合使用

Notice:

Should be installed in a dry, well ventilated position.
Must not run dry. It is better to work with a bilge control panel to avoid running dry.



Automatic Demand Diaphragm Pumps-34eries

主要用途: 游艇供水系统加压、房车供水系统加压、动车供水系统加压、大型电动喷雾器、车载式喷雾器、清洗机、加热器、饮水机、医疗器械及配套其它需加压设备使用

Application:

Yacht / RV/Caravan pressurized water system,
Sprayer fixtures (Vehicle-mounted sprayers, electric sprayer)
Clean machine, Humidifier, Water purification, Medical apparatus
Food beverage filling & liquid transfer,
Any other pressurization system

Features:

- ▶ Motor Voltage: 12/24V DC
- ▶ Max Flow rate: 8.3lpm (2.2gpm) can be adjusted from 3.0- 8.3lpm (0.8-2.2gpm) as required.
- ▶ Max Pressure: 100psi (6.9bar) can be adjusted from 10psi (0.6bar) to 100psi (6.9bar) as required.
- ▶ 51S01 inlet strainer for your choice. Inlet/Outlet fitting: 13mm pyramid hose barb, 1/2 NPT thread fitting for your choice.
- ▶ Protection: pressure switch protection: pressure-off protection or circumfluence switch protection. For the powered control you can choose pump without pressure protection.
- ▶ Duty Cycle: Intermittent (under different pressure the continuous working time will also be different)



TECHNICAL DATA

Model	Volt (V)	Flow (lpm/gpm)	Pressure Off (psi/bar)	Amp Draw (A)	Max Draw (A)	Packing Size (mm)	N.W/G.W (kg)
SFDP1-022-070-34	12	8.3/2.2	70/4.8	3.0	7.5	270*135*110	2.16\2.56
SFDP2-022-070-34	24	8.3/2.2	70/4.8	1.6	4.0	270*135*110	2.16\2.56
SFDP1-016-100-34	12	6.0/1.6	100/6.9	2.5	7.5	270*135*110	2.16\2.56
SFDP2-016-100-34	24	6.0/1.6	100/6.9	1.3	4.0	270*135*110	2.16\2.56

34 Series for your option:



Automatic Demand Diaphragm Pumps-51 Series

主要用途: 游艇供水系统加压、房车供水系统加压、动车供水系统加压、大型电动喷雾器、车载式喷雾器、清洗机、加热器、饮水机、医疗器械及配套其它需加压设备使用

Application:

Yacht / RV/Caravan pressurized water system,
Sprayer fixtures (Vehicle-mounted sprayers, electric sprayer)
Clean machine, Humidifier, Water purification, Medical apparatus
Food beverage filling & liquid transfer,
Any other pressurization system

Features:

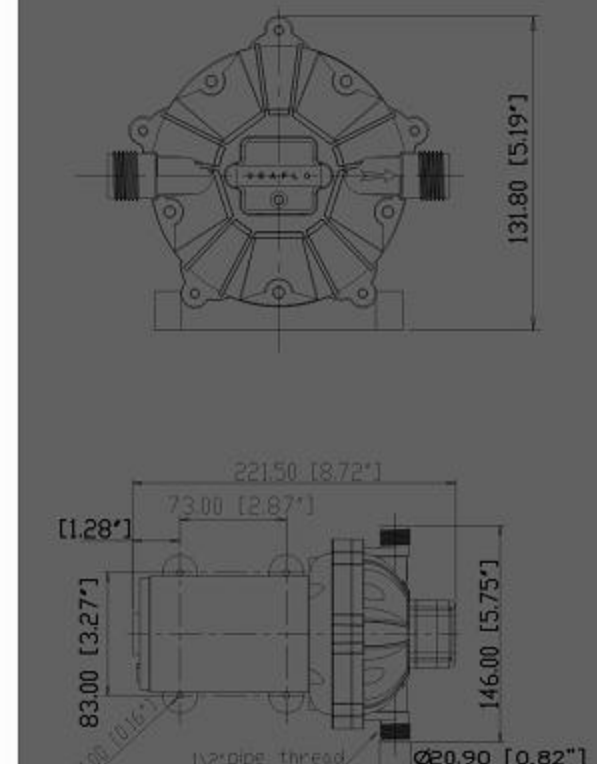
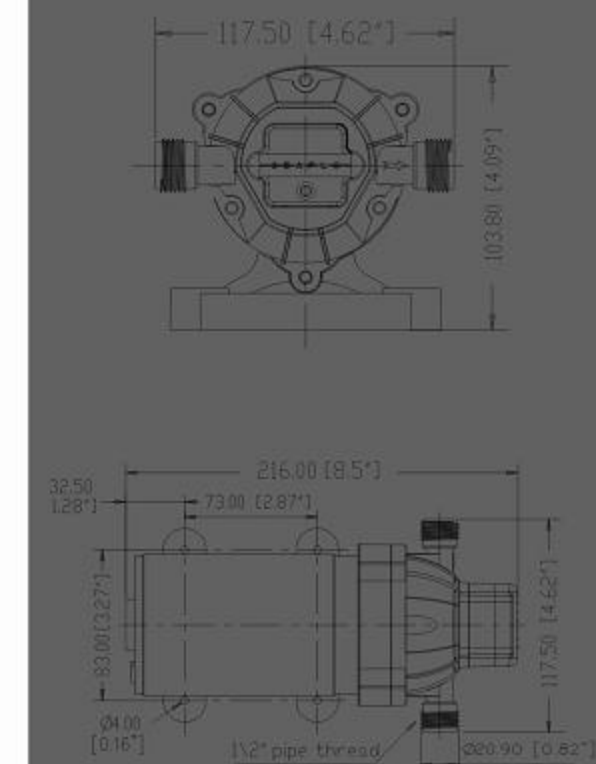
- ▶ Motor Voltage: 12/24V DC
- ▶ Max Flow rate: 20lpm (5.3gpm) can be adjusted from 3.0- 20lpm (0.8-5.3gpm) as required.
- ▶ Max Pressure: 100psi (6.9bar) can be adjusted from 10psi (0.6bar) to 100psi (6.9bar) as required.
- ▶ 51S01 inlet strainer for your choice. Inlet/Outlet fitting: 13mm pyramid hose barb, 1/2 NPT thread fitting for your choice.
- ▶ Protection: pressure switch protection: pressure-off protection or circumfluence switch protection. For the powered control you can choose pump without pressure protection.
- ▶ Duty Cycle: Intermittent (under different pressure the continuous working time will also be different)



TECHNICAL DATA

Model	Volt (V)	Flow (lpm/gpm)	Pressure Off (psi/bar)	Amp Draw (A)	Max Draw (A)	Packing Size (mm)	N.W/G.W (kg)
SFDP1-055-060-51	12	20.0/5.3	60/4.2	8.0A	17.0A	260*152*132	2.46\2.86
SFDP2-055-060-51	24	20.0/5.3	60/4.2	5.0A	10.0A	260*152*132	2.46\2.86
SFDP1-040-060-51	12	15.0/4.0	60/4.2	7.0A	13.0A	260*152*132	2.46\2.86
SFDP2-040-060-51	24	15.0/4.0	60/4.2	4.0A	7.0A	260*152*132	2.46\2.86
SFDP1-030-060-51	12	11.5/3.0	60/4.2	6.0A	10.0A	260*152*132	2.46\2.86
SFDP2-030-060-51	24	11.5/3.0	60/4.2	3.5A	5.5A	260*152*132	2.46\2.86

51 Series for your option:



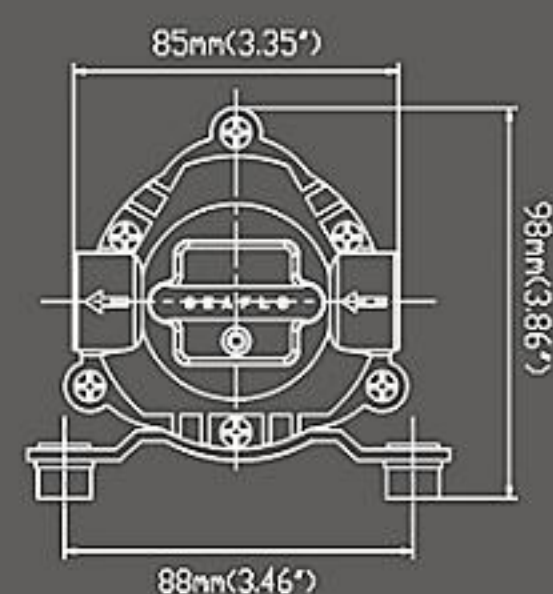
Diaphragm pumps-31 series

主要用途：大型电动喷雾器、车载式喷雾器、电动喷雾器、清洗机、加湿器、饮水机、医疗器械及配套其它需加压设备使用。

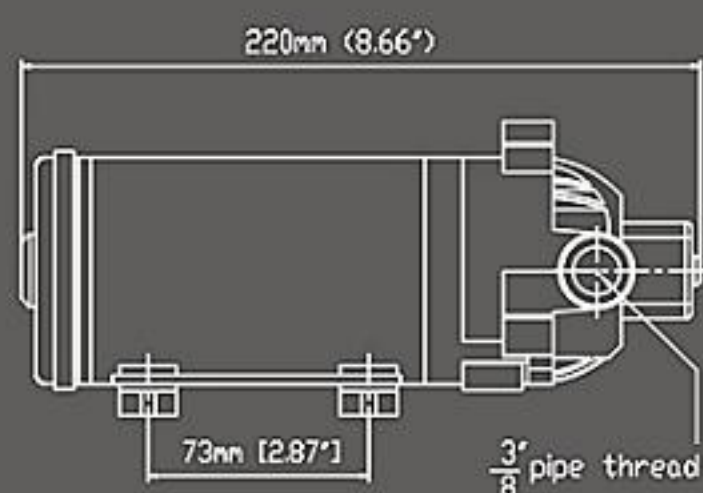
Application:

Sprayer fixtures (Vehicle-mounted sprayers, electric sprayers)
Clean machine, Humidifier, Water purification, Medical apparatus
Food beverage filling & liquid transfer
Any other pressurization system

- ▶ 3 Chamber positive displacement diaphragm pump for smooth and quiet operation
- ▶ Max. flow: 5.5lpm (1.5gpm), can be adjusted from 1.0-5.5lpm (0.3-1.5gpm) as required.
- ▶ Max. pressure: 170psi(11.7bar), can be adjusted from 10psi(0.6bar) to 170psi(11.7bar) as required.
- ▶ Pump can be with: pressure switch controlled or by-pass controlled. For the power controlled you can choose pump without pressure switch and by-pass
- ▶ Duty Cycle: Intermittent (under different pressure the continuous working time will also be different)
- ▶ Run dry with no problem



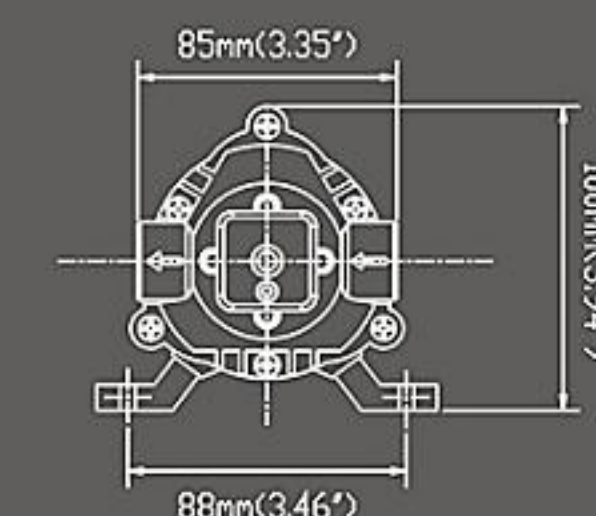
88mm(3.46")



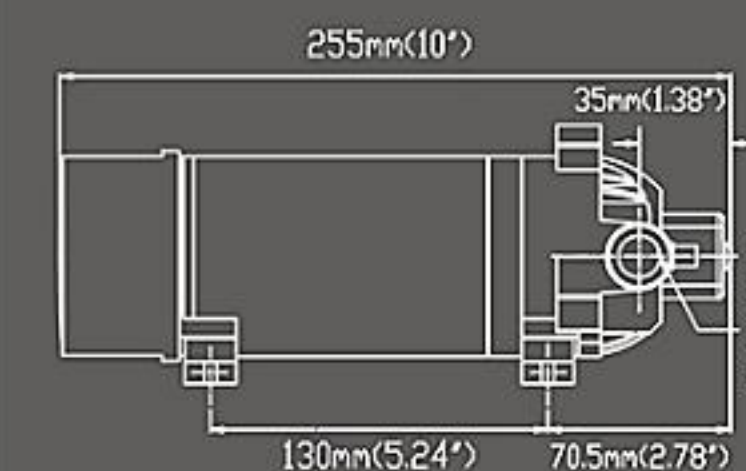
3/8" pipe thread

TECHNICAL DATA

Model	Volt (V)	Flow (lpm/gpm)	Pressure Off (psi/bar)	Amp Draw(A)	Max Draw(A)	Packing Size (mm)	N.W/G.W (kg)
SFDP1-012-060-31	12	4.6/1.2	60 /4.2	2.8	5.0	260*120*105	2.42/2.66
SFDP1-015-080-31	12	5.5/1.5	80/5.6	6.0	8.0	260*120*105	2.42/2.66
SFDP1-015-100-31	12	5.5/1.5	100 /6.9	6.0	8.5	260*120*105	2.42/2.66
SFDP1-015-120-31	12	5.5/1.5	120 /8.3	6.0	8.6	260*120*105	2.42/2.66
SFDP1-015-160-31	12	5.5/1.5	160 /11.0	6.0	9.0	260*120*105	2.42/2.66
SFDP1-015-170-31	12	5.5/1.5	170/11.7	6.0	9.0	260*120*105	2.42/2.66
SFDP2-012-060-31	24	4.6/1.2	60 /4.2	1.5	2.8	260*120*105	2.42/2.66
SFDP2-015-080-31	24	5.5/1.5	80/5.6	3.0	4.5	260*120*105	2.42/2.66
SFDP2-015-100-31	24	5.5/1.5	100 /6.9	3.0	5.0	260*120*105	2.42/2.66
SFDP2-015-120-31	24	5.5/1.5	120 /8.3	3.0	4.5	260*120*105	2.42/2.66
SFDP2-015-160-31	24	5.5/1.5	160 /11.0	3.0	5.0	260*120*105	2.42/2.66
SFDP2-015-170-31	24	5.5/1.5	170/11.7	3.0	5.0	260*120*105	2.42/2.66



88mm(3.46")



130mm(5.24")

TECHNICAL DATA

Model	Volt (V)	Flow (lpm/gpm)	Pressure Off (psi/bar)	Amp Draw(A)	Max Draw(A)	Packing Size (mm)	N.W/G.W (kg)
SFDPA1-015-120-31	110	5.5/1.5	120 /8.3	0.6	0.8	260*120*105	2.77/3.05
SFDPA1-015-160-31	110	5.5/1.5	160 /11.0	0.6	0.8	260*120*105	2.77/3.05
SFDPA2-015-120-31	220	5.5/1.5	120 /8.3	0.4	0.5	260*120*105	2.77/3.05
SFDPA2-015-160-31	220	5.5/1.5	160 /11.0	0.5	0.6	260*120*105	2.77/3.05

31 Series for your option:



31F001



31F002



31F003



31F004



Diaphragm Pumps-21/22 Series

主要用途: 大型电动喷雾器、车载式喷雾器、电动喷雾器、清洗机、加湿器、饮水机、医疗器械及配套其它需加压设备使用。

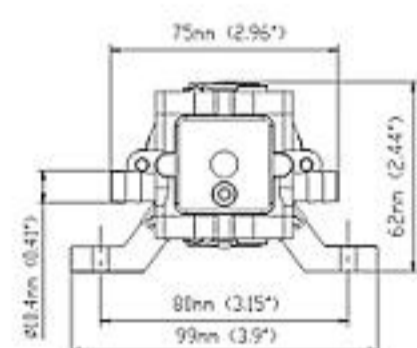
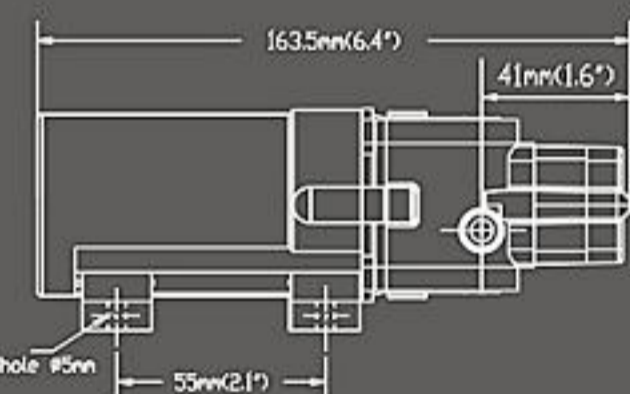
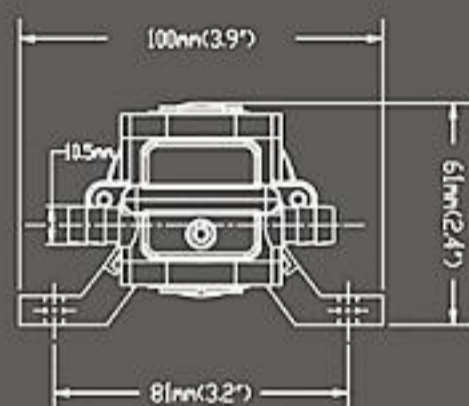
Application:

Sprayer fixtures (Vehicle-mounted sprayers, electric sprayers)
Clean machine, Humidifier, Water purification, Medical apparatus
Food beverage filling & liquid transfer
Any other pressurization system

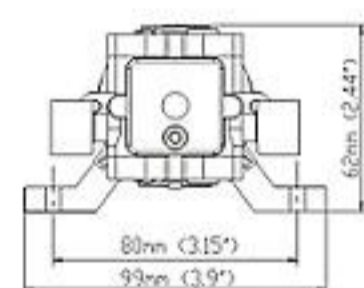
Features:

- ▶ 2 Chamber positive displacement diaphragm pump for smooth and quiet operation
- ▶ Max. Flow: 5.1lpm / 1.4gpm
- ▶ Max. Pressure: 100PSI / 6.9bar
- ▶ Pump can be with: pressure switch controlled or by-pass controlled. For the power controlled you can choose pump without pressure switch and by-pass
- ▶ Run dry with no problem
- ▶ Duty Cycle: Intermittent (under different pressure the continuous working time will also be different)

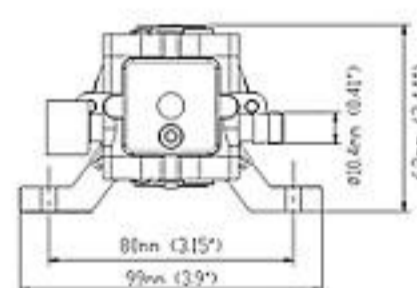
Diaphragm Pumps-21 Series



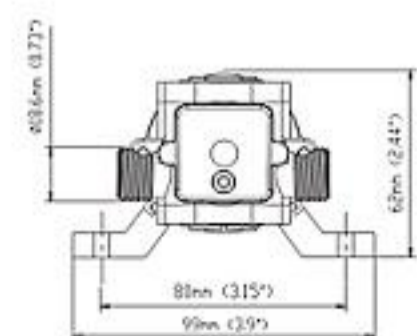
3/8" hose barb



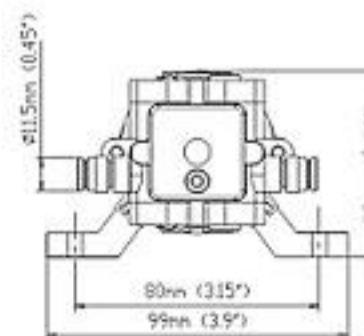
1/4" female thread



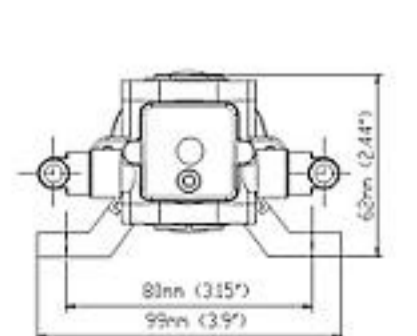
3/8" hose barb and 1/4" female thread



3/4" male thread



3/8" hose barb with o-ring

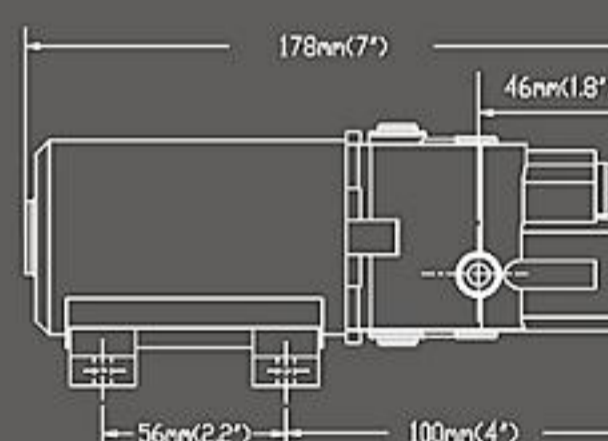
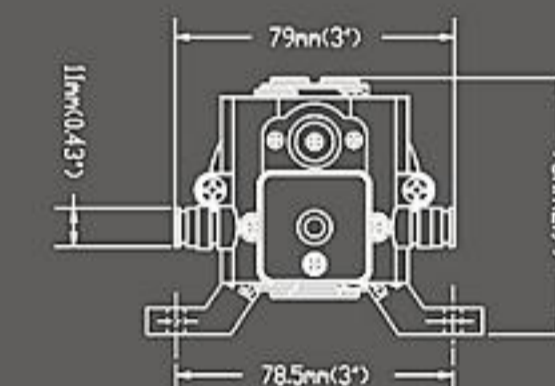


3/8" hose barb with 360° swivel quick connector

TECHNICAL DATA

Model	Volt (v)	Flow (lpm/gpm)	Pressure Off (psi/bar)	Amp Draw(A)	Max Draw(A)	Packing Size (mm)	N.W/G.W (kg)
SFDP1-005-055-21	12	2.0/0.5	55/3.8	0.7	1.6	185*110*65	0.62/0.72
SFDP1-010-035-21	12	3.8/1.0	35/2.4	1.6	2.5	185*110*65	0.62/0.72
SFDP1-012-035-21	12	4.3/1.2	35/2.4	1.7	2.7	185*110*65	0.62/0.72
SFDP1-007-070-21	12	2.6/0.7	70/4.8	1.0	2.1	185*110*65	0.62/0.72
SFDP1-008-070-21	12	3.1/0.8	70/4.8	1.3	2.6	185*110*65	0.62/0.72
SFDP1-011-070-21	12	4.0/1.1	70/4.8	1.5	2.6	185*110*65	0.62/0.72
SFDP2-005-055-21	24	2.0/0.5	55/3.8	0.3	0.8	185*110*65	0.62/0.72
SFDP2-010-035-21	24	3.8/1.0	35/2.4	1.0	1.4	185*110*65	0.62/0.72
SFDP2-012-035-21	24	4.3/1.2	35/2.4	1.1	1.6	185*110*65	0.62/0.72
SFDP2-007-070-21	24	2.6/0.7	70/4.8	0.6	1.1	185*110*65	0.62/0.72
SFDP2-011-070-21	24	4.0/1.1	70/4.8	1.0	1.3	185*110*65	0.62/0.72

Diaphragm Pumps-22 series



TECHNICAL DATA

Model	Volt (v)	Flow (lpm/gpm)	Pressure Off (psi/bar)	Amp Draw(A)	Max Draw(A)	Packing Size (mm)	N.W/G.W (kg)
SFDP1-014-080-22	12	5.1/1.4	80/5.5	2.1	4.2	195*110*75	1.14/1.34
SFDP2-014-080-22	24	5.1/1.4	80/5.5	1.2	3.2	195*110*75	1.14/1.34
SFDP1-014-100-22	12	5.1/1.4	100/6.9	2.1	4.5	195*110*75	1.14/1.34
SFDP2-014-100-22	24	5.1/1.4	100/6.9	1.2	3.5	195*110*75	1.14/1.34

21/22 Series for your option:



21F001



21F002



21F003



21F004

360° swivel quick connector



Diaphragm Pumps - 41 Series

主要用途： 游艇供水系统加压、房车供水系统加压、动车供水系统加压、大型电动喷雾器、车载式喷雾器、电动喷雾器、清洗机、加湿器、饮水机、医疗器械及配套其它需加压设备使用。

Application:

Pressure pumps can be used in:

Yacht / RV/Caravan pressurized water system

Sprayer fixtures (Vehicle-mounted sprayers, electric sprayers)

Clean machine, Humidifier, Water purification, Medical apparatus

Food beverage filling & liquid transfer

Any other pressurization system

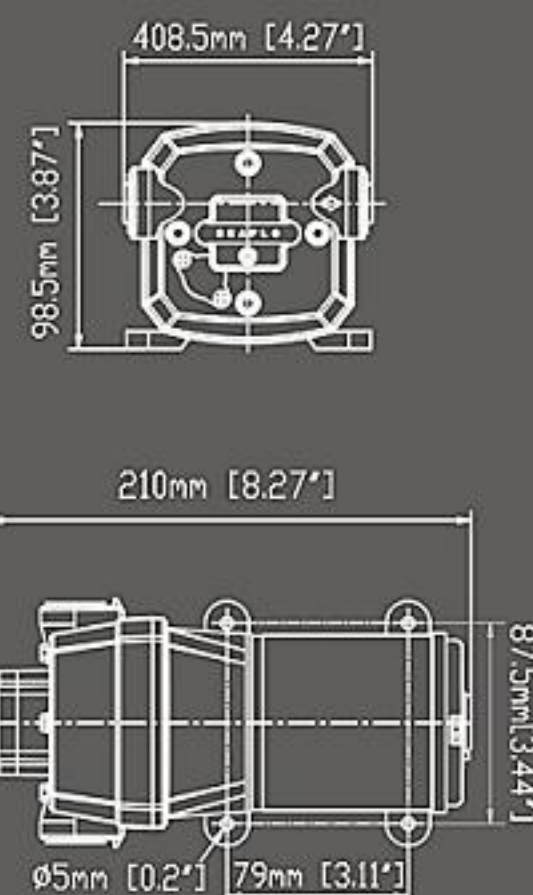
Features:

- ▶ 4 Chamber positive displacement diaphragm pump for smooth and quiet operation
- ▶ Max. Flow: 17lpm /4.5gpm
- ▶ Max. Pressure: 40PSI / 2.8bar
- ▶ Run dry with no problem
- ▶ Thermal overload protected.
- ▶ Duty Cycle: Intermittent (under different pressure the continuous working time will also be different)



TECHNICAL DATA

Model	Volt (V)	Flow (lpm/gpm)	Pressure Off (psi/bar)	Amp Draw(A)	Max Draw(A)	Packing Size (mm)	N.W/G.W (kg)
SFDP1-027-017-41	12	10.0/2.7	17/1.2	3.0	4.5	355*133*110	1.80/2.23
SFDP2-027-017-41	24	10.0/2.7	17/1.2	1.5	2.0	355*133*110	1.80/2.23
SFDP1-033-035-41	12	12.5/3.3	35/2.4	4.0	8.0	355*133*110	1.80/2.23
SFDP2-033-035-41	24	12.5/3.3	35/2.4	2.0	4.0	355*133*110	1.80/2.23



TECHNICAL DATA

Model	Volt (V)	Flow (lpm/gpm)	Pressure Off (psi/bar)	Amp Draw(A)	Max Draw(A)	Packing Size (mm)	N.W/G.W (kg)
SFDP1-045-040-41	12	17.0/4.5	40/2.8	6.0	15.0	355*133*110	2.30/2.70
SFDP2-045-040-41	24	17.0/4.5	40/2.8	3.0	6.0	355*133*110	2.30/2.70



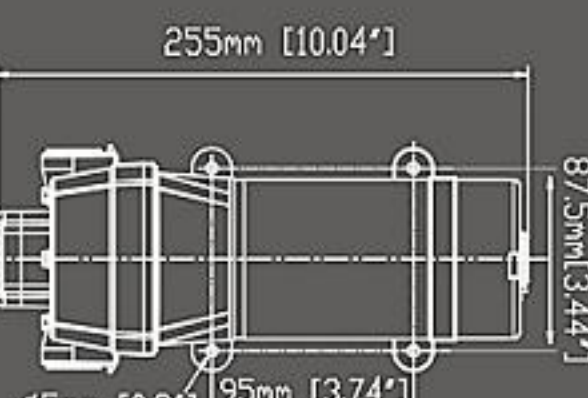
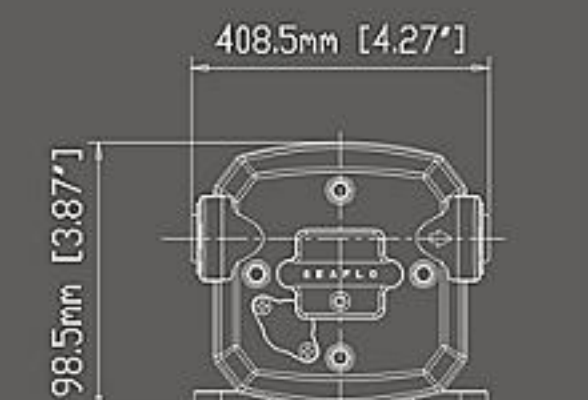
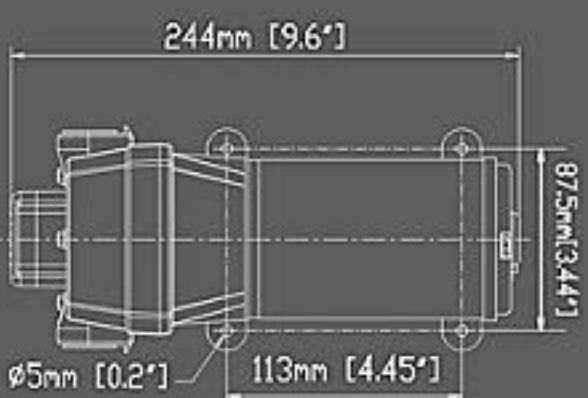
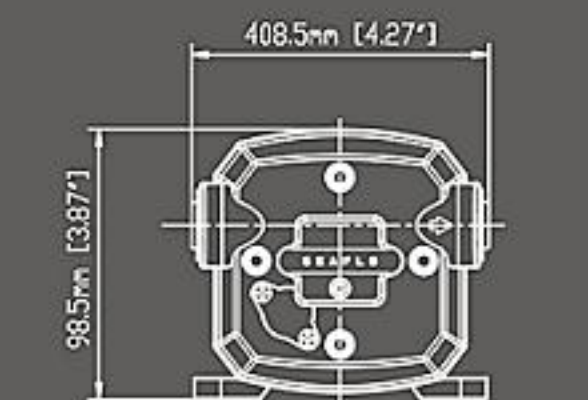
TECHNICAL DATA

Model	Volt (V)	Flow (lpm/gpm)	Pressure Off (psi/bar)	Amp Draw(A)	Max Draw(A)	Packing Size (mm)	N.W/G.W (kg)
SFDPA1-033-035-41	110	12.5/3.3	35/2.4	0.4	0.8	355*133*110	2.20/2.60
SFDPA2-033-035-41	220	12.5/3.3	35/2.4	0.2	0.5	355*133*110	2.20/2.60
SFDPA1-045-040-41	110	17.0/4.5	40/2.8	0.5	1.0	355*133*110	2.67/3.10
SFDPA2-045-040-41	220	17.0/4.5	40/2.8	0.4	0.8	355*133*110	2.67/3.10

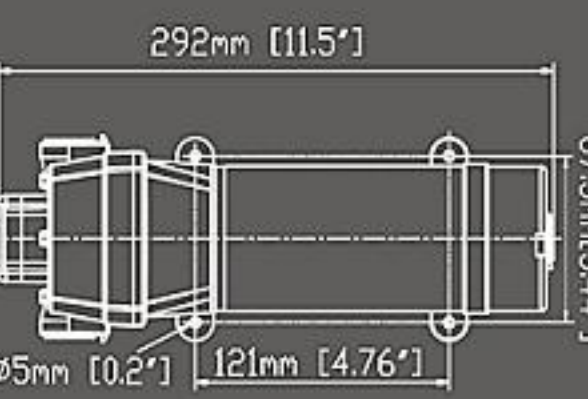
41 Series for your option:



Universal filters



(12.5lpm) AC



(17.0lpm) AC

