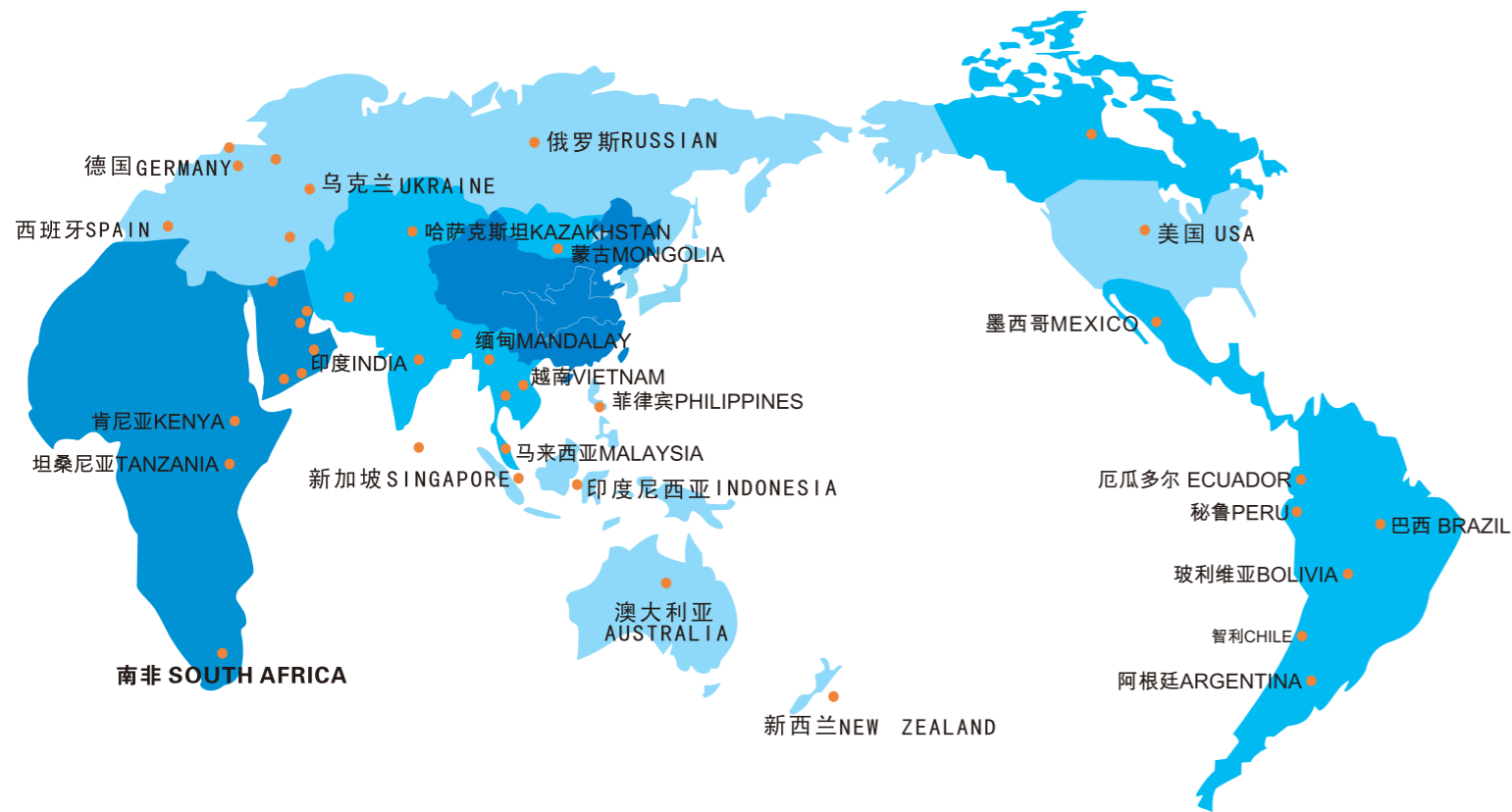


Focus, Professional And Creditability ▶▶

2013 **CATALOG**



Up to now, we export more than **fifty** countries.

**Henan Xinxiang Kuangshan Crane CO., LTD**

**Email:** jasmine@kscranegroup.com **Mob:** +86-182-3877-6721

**Tel:**+86-373-3872-232 **Fax:** +86-373-8793-182

**Web:** www.kscranegroup.com www.kuangshanlanri.com

**Address:** Changnao Industrial District Xinxiang Henan China.

©河南省新乡市起重机械有限公司版权所有



**KUANGSHAN CRANE**





## About Lanri Crane

### Building Cranes Since 1984

Ever since 1984, Lanri has been and continues to be a professional overhead crane manufacturer. Up to now, lanri has been an Overhead Crane Industry Leader, especially in overhead cranes for steel industry. Our focus is to provide our customers a cost effective solution that will meet their material handling needs. We provide whole series of overhead bridge cranes with capacity from 0.5 ton to 550 tons.

#### **At Lanri, quality is our top priority.**

Lanri is ISO 9001-2008 registered. This means we actively monitor every part of our business, conducting monthly evaluations that cover everything from customer service to delivery times. Besides, Lanri has certifications of the Swiss SGS, CE and etc. Lanri Overhead Bridge Crane has obtained Class-A Quality Certificate from Machine-Building Ministry Of China.

#### **At Lanri, we trust in technical innovation.**

With a total floor space of 600,000m<sup>2</sup>, our group has 2360 employees, including 15 senior engineers, 68 engineers, 95 assistant engineers and 230 senior technical workers. Lanri has successfully developed 450t gantry crane and 900t bridge erector with auxiliary guiding beam for for the Bridge-building Bureaus of China Railway. Besides, our company has obtained 26 patents related to overhead cranes.

#### **At Lanri, we don't just sell products, for...**

we assist our customers in the design, manufacture, installation and start-up phases, for overhead lifting projects across the world. We provide overhead crane sales, installation, service, parts, and repair for all our customers worldwide.

We take great pride in our cost effective material lifting, moving solutions since 1984. We hold the industry standard in quality and continuously reach new levels of innovative design and safety.

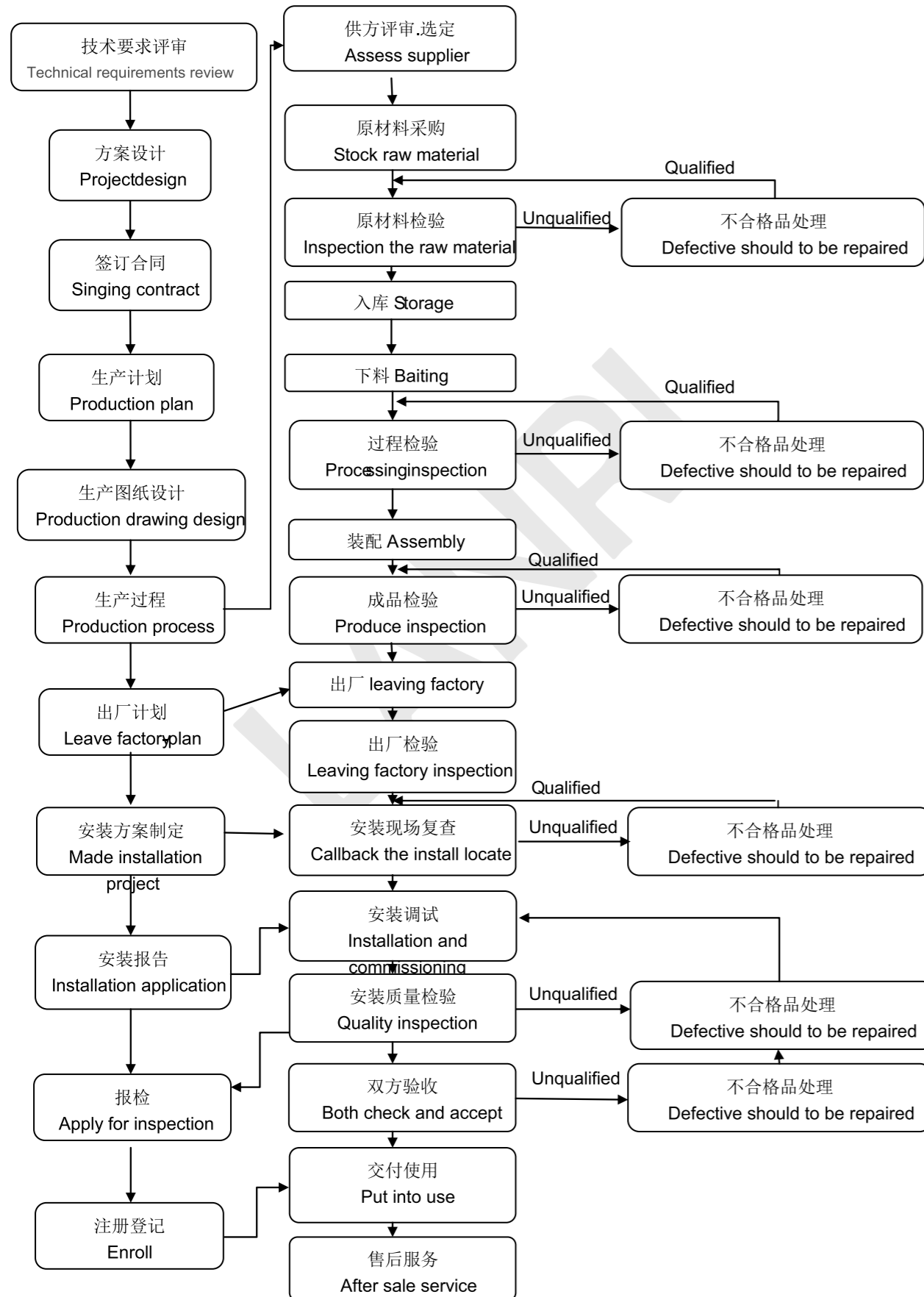
Our corporate office and manufacturing facility is located in Xinxiang City, Henan province, China (the biggest overhead crane manufacturing base in China). Please never hesitate to contact us with any questions or service requests. we will be pleased to be of further assistance.

**Phone: +86-373-3872 232**

**Email: [info@kscranegroup.com](mailto:info@kscranegroup.com)**



FACTORY VIEW





## Products Content

### Electric hoist

- Lifting capacity: 1t-63t
- Lifting height: 6m-100m
- Work duty: M3, M4, M5
- Speed: Single or Double speed
- Operate type: Pendant handle, remote or cabin



### Gantry Crane

- Lifting capacity: 1t-550t
- Lifting height: 6m-40m
- Span: 4m-60m
- Work duty: M3, M4, M5, M6, M7
- Speed: Single or Double speed
- Operate type: Pendant handle, remote or cabin



### Overhead bridge crane

- Lifting capacity: 0.5t-550t
- Lifting height: 6m-40m
- Work duty: M3, M4, M5, M6, M7
- Speed: Single or Double speed
- Operate type: Pendant handle, remote or cabin



### Jib crane

- Lifting capacity: 0.25t-20t
- Lifting height: 6m-15m
- Arm length: up to 15m
- Work duty: M3, M4, M5, M6, M7
- Speed: Single or Double speed
- Operate type: Pendant handle, remote
- Rotation: 270, 180, 360 degree





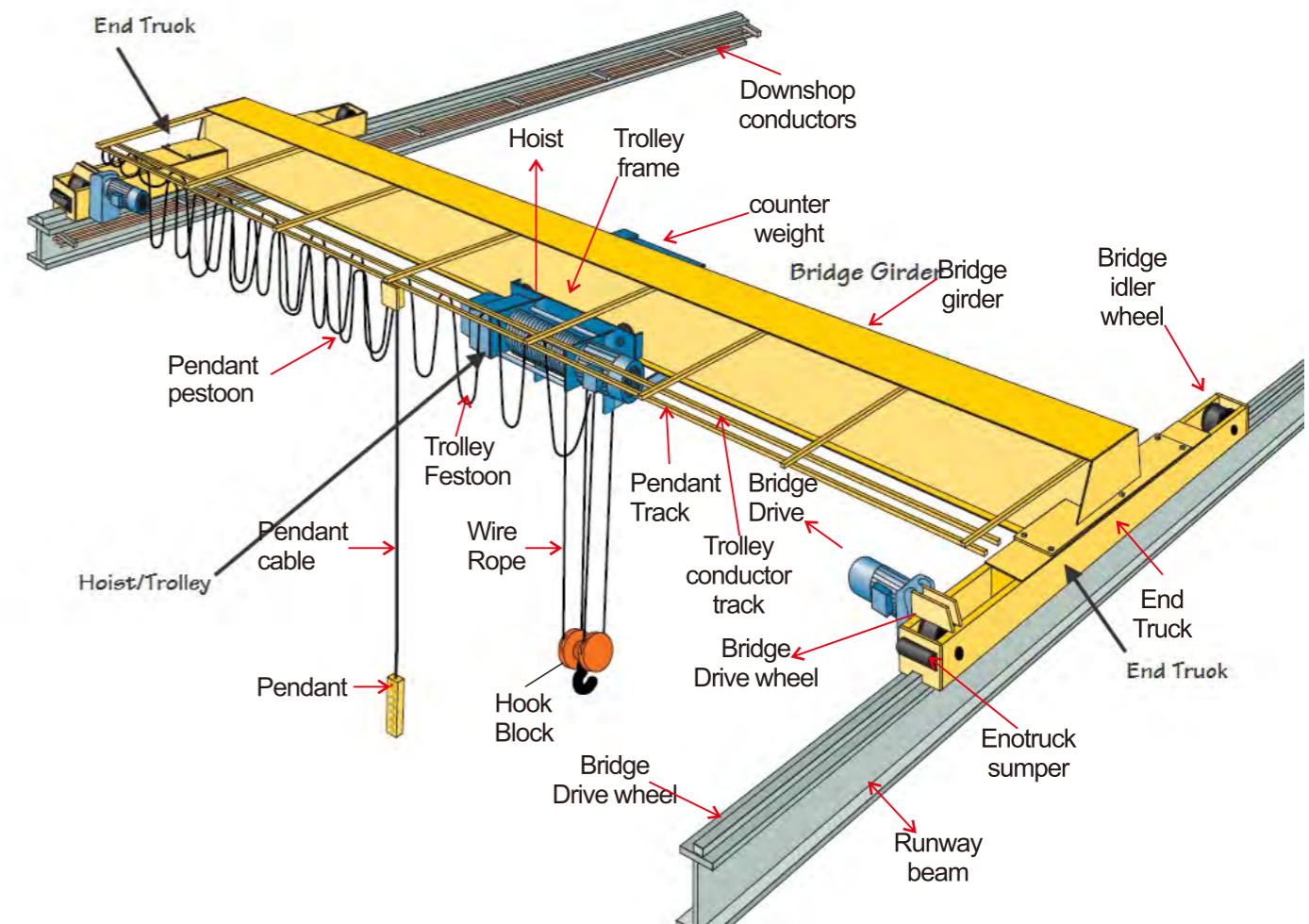
# Single Girder Top Running Bridge Crane

## 1. Single girder bridge crane

single girder bridge crane is composed by the main girder, end carriages, electric hoist, and electric control system.

As it has firm structure, light weight and small size, it is widely used in factories and warehouses.

- Lifting capacity: 0.25~32tons
- Work duty: Class C or D
- Lifting height: 6~40mtrs
- Power: 380v/50hz/3p or as customer request
- Working Temperature: -25~40°C
- Operate type: pendant handle, or remote, or cabin



## Overhead Bridge crane

Overhead crane is consists of single girder overhead crane and double girder overhead crane.

### ■ 3.Low headroom single girder bridge crane

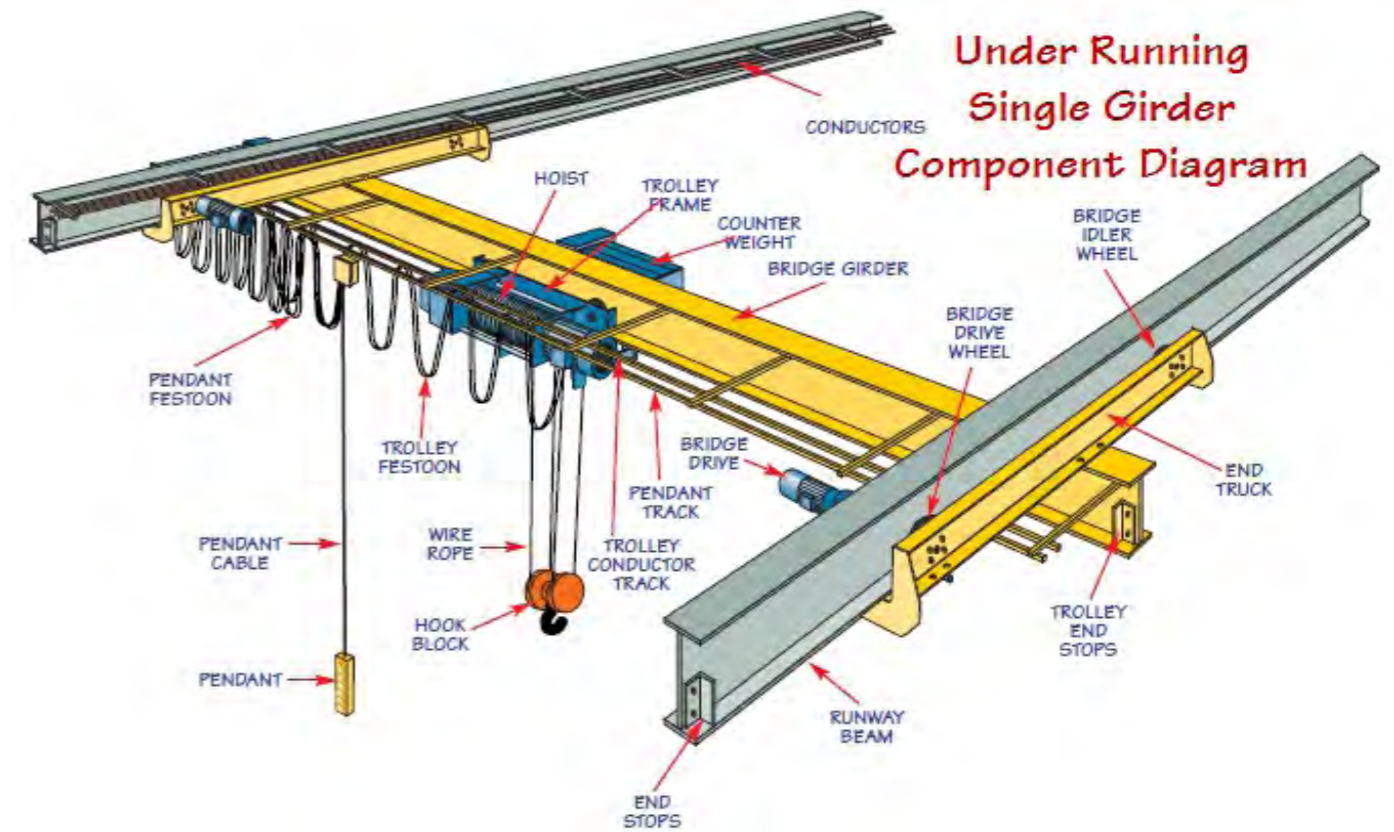
The height of Low headroom single girder bridge crane lifted can be more 200~500mm than the other cranes because of the low headroom model hoist on it.  
It is mainly used in the factories or warehouses with limited height.



If the room between girder and roof is enough, for a bigger lifting height, we can use this kind of crane as shown below.

## Single Girder Under Running Bridge Crane

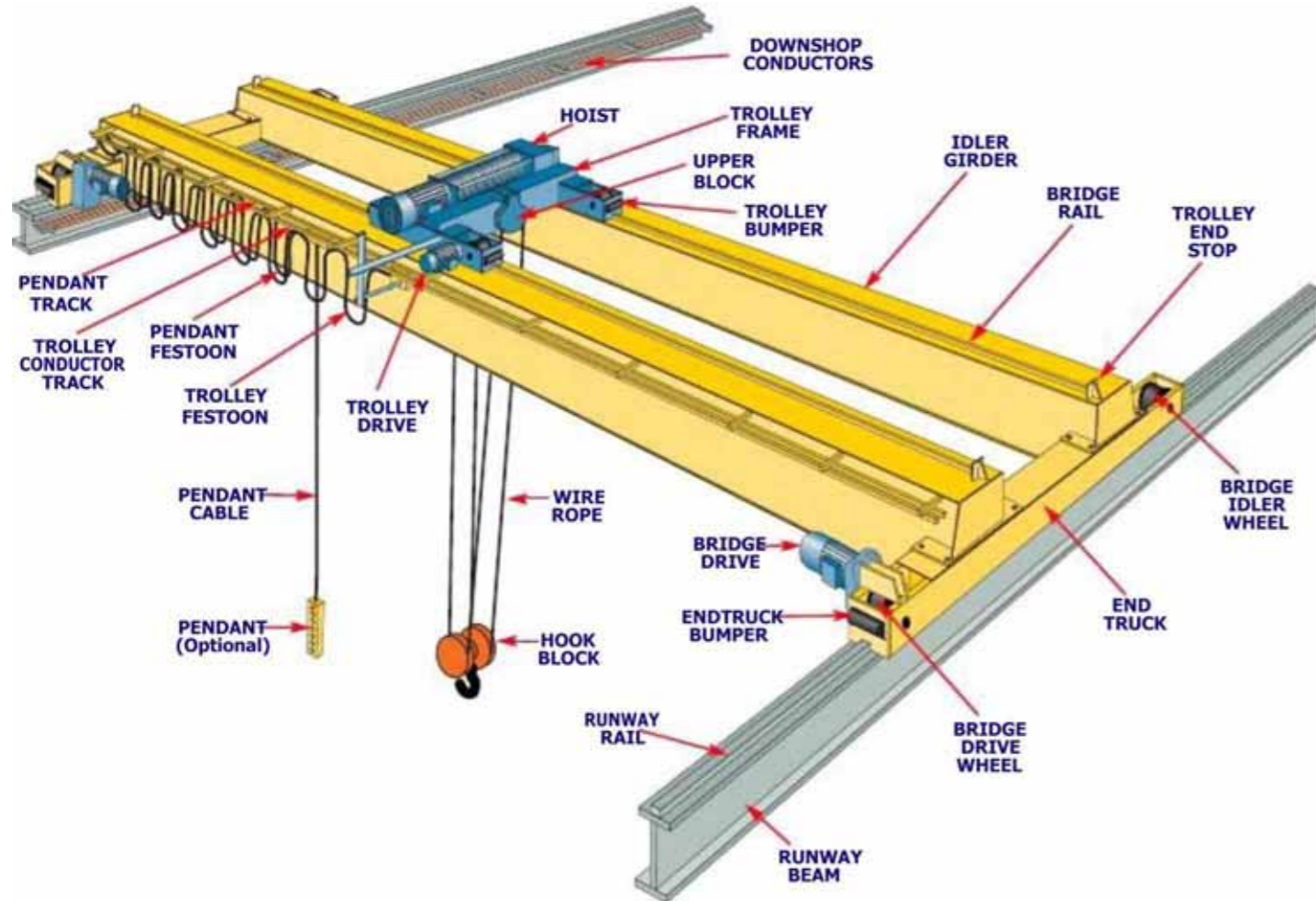
Single girder under running bridge crane is mainly used in the factories and warehouses with limited space. It owns tight dimension, low building headroom, light dead weight and light wheel load. Typically, a suspension runway is suspended from the roof of the building and is available only on lighter capacities, usually 10 tons or less.



# Double Girder Top Running Bridge Crane

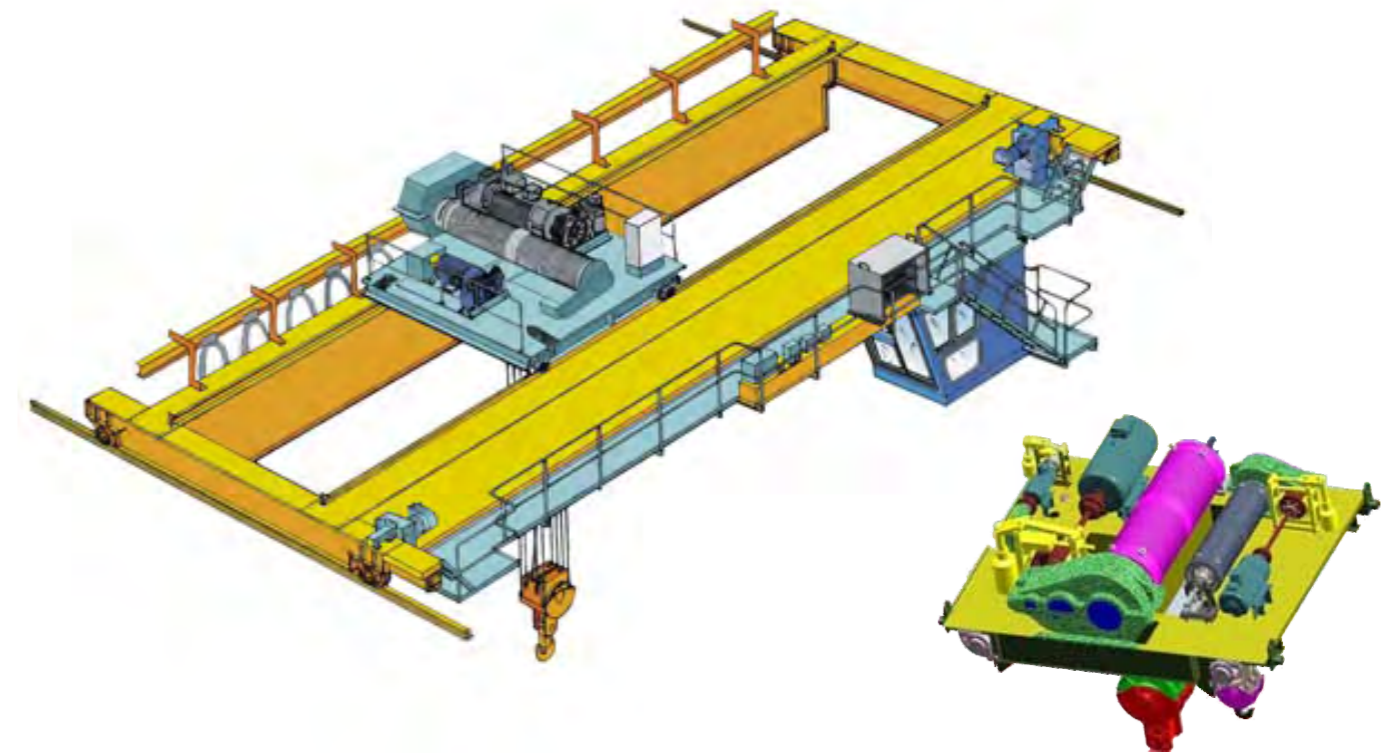
## 1. Double girder bridge crane with hoist

It is composed by the main girder, end carriages, electric hoist with trolley, and electric control system. It is widely used in plants, warehouses, or materials such as coil handling, container lift, railway workshop, paper mill and so on.



## 2. Double girder bridge crane with trolley

It is composed by the main girder, end carriages, winch with trolley, and electric control system.



### ■ 3.double girder bridge crane with double trolley

It is widely applied to loading and moving of normal weight in the fixed crossing space and also can work with various special-purpose hoists in special operations.



## Cranes for casting industry

### ■ 1.QDY model double girder bridge crane

It is widely used in the metallurgy, and it can bear high temperature.



### ■ 2.QY model insulation double girder bridge crane

It is widely used in steel mill to convey steel scrap or steel bar.



QY type Insulation double girder crane is used in electrolyzing of nonferrous metal, aluminum and magnesium metallurgy workshops.



# Ex-proof Cranes

## ■ 1. Single girder ex-proof bridge crane

The products are widely used in the factory, warehouse, and other different occasions to lift goods, and are suitable in inflammable, explosive environment, and the work environment temperature is within -25 °C ~ 40 °C.



## ■ 2. Double girder ex-proof bridge crane

This type of crane is specially designed and manufactured to meet special working environment. EX-proof double girder overhead crane is applicable to workshop, warehouse etc where has the mixture of easily combustible and explosive.



# Special Use Cranes

## ■ 1. Overhead bridge crane with electromagnetic

This crane is a special product equipped with electromagnetic chuck that used to lift iron or steel blocks, cylinders and so on. It consists of bridge, crane traveling mechanism, trolley, electric equipment and electromagnetic chuck.

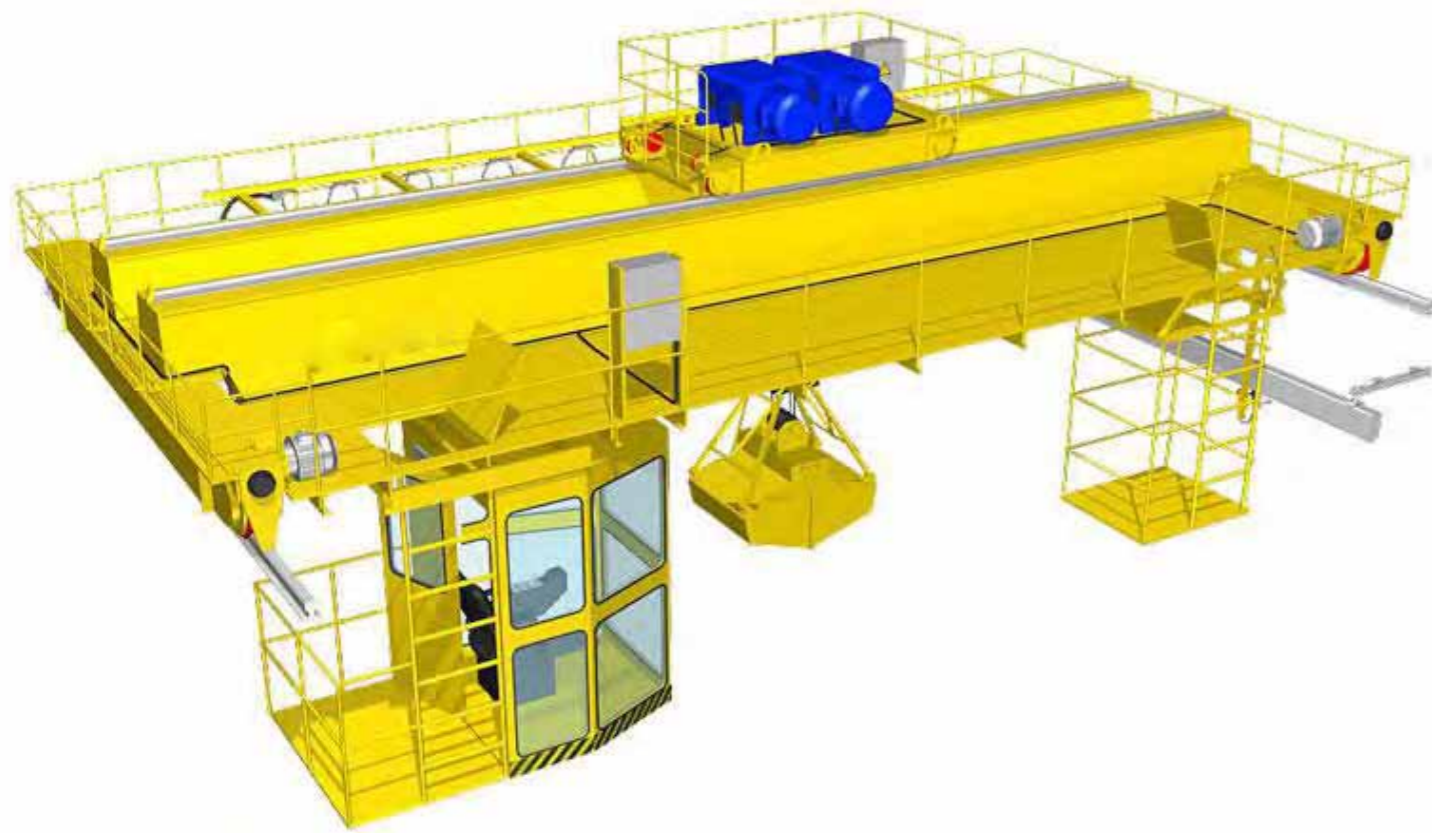
It is widely used in steel mill to convey steel scrap or steel bar.



## ■ 2. Overhead bridge crane with grab

overhead bridge crane with grab is widely used in loading goods in port, factory, workshop and power plant.

- 1) Reasonable structure
- 2) Favorable performance
- 3) Smooth starting and stopping
- 4) Safe and reliable operation
- 5) Strong bearing capacity
- 6) Strong box type, welding by machine hand.
- 7) Low cost maintenance, long working life.
- 8) Saves electricity specifications.



This grab overhead crane installed in our Turkey Customer Factory. ( 20t overhead crane)



## Gantry crane

Gantry crane is mainly used outside the door, and is widely used in the docks, warehouses and so on. There is no need to find or build suitable plants, so it costs less somehow.

# single girder gantry crane

## Single girder gantry crane

single girder gantry crane have two shape. They are truss and box-type.



**Box-type single girder gantry crane** 1) Strong rigidity 2) Lower wind resistance



## 2. L-type single girder gantry crane

L-type single girder gantry crane can take advantage of the space under the main girder.

# Double girder gantry crane

It is applied outside warehouse or railway sideways to do common lifting and unloading works



Double girder gantry crane with trolley



U-type double girder gantry crane

A-type double girder gantry crane



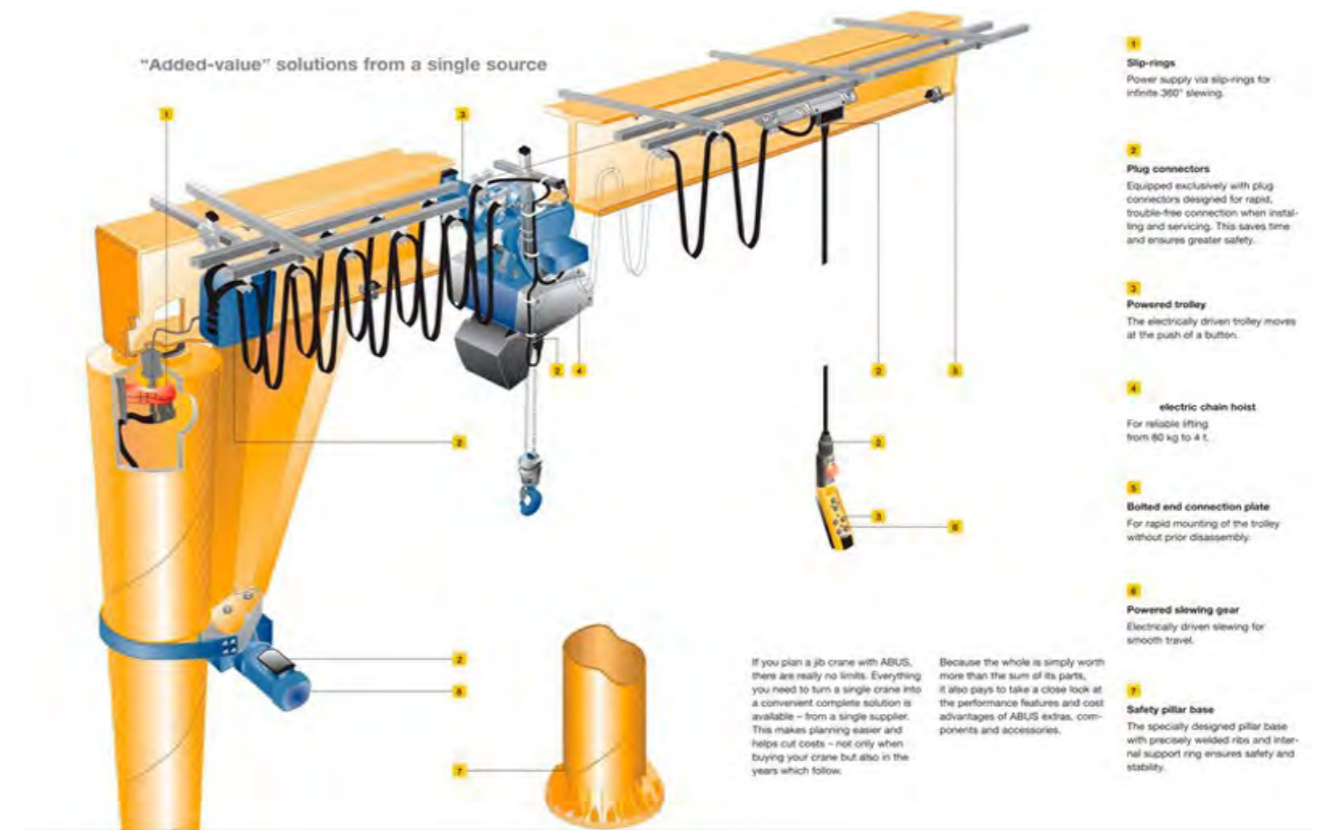
# Semi gantry crane

Semi gantry crane can be used in outdoor and indoor  
Reasonable structure, favorable performance, smooth starting and stopping, safe and reliable traveling, low noise, commodious cabin with good view, convenient maintenance, electricity save, excellent exchangeability for parts and components





# Jib crane



## JIB crane

It is a kind of track traveling mid-duty type gantry crane, the one beam end traveling on wall mounted track, Another beam end traveling on ground track.

It is used inside or outside warehouse for loading/unloading and lifting material. Both ground control and Cabin control.

Wall mounted jib crane

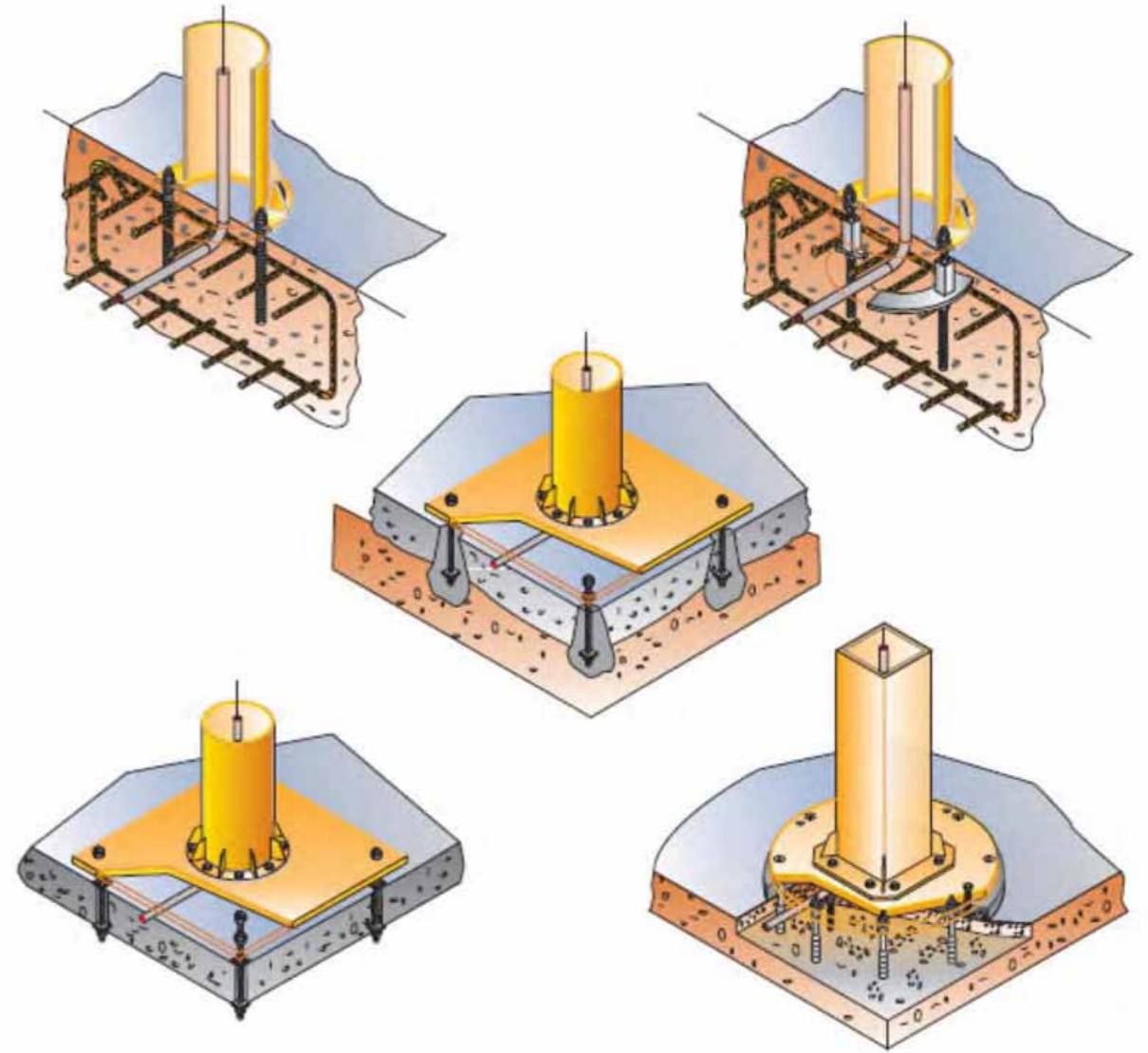


General jib crane

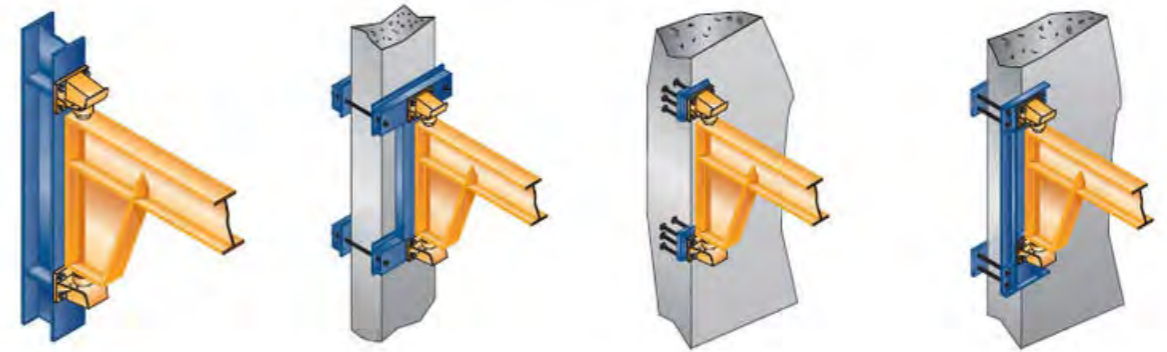


Heavy duty jib crane





*Foundation of jib crane*



# Electric Wire rope hoist

## 1. CD1/MD1 MODEL Electric Hoist

Model CD1/MD1 Electric Hoist is a small-sized lifting equipment, which can be mounted on single beam, bridge, gantry and Jib crane. It is widely used in factories, mines, warehouses, cargo storage areas and shops, essential in raising working efficiency and improving working conditions. Model CD1 Electric Hoist has only one normal speed, which can meet the general requirements apply. Model MD1 Electric Hoist has two speeds: normal speed and low speed. At a low speed, it can do precise loading and unloading, mounding of sand box, maintenance of machine tools etc. Thus Model MD1 Electric Hoist is more widely used than Model CD1.

- Lifting capacity: 0.25-20T
- Lifting height : 6-120m
- Work duty : M3 ,M4
- Ambient temperature: -20~+40°C
- Operate type: Pendant handle or remote



CD1

CD2

## 2. HC MODEL Electric Hoist

HC type electric hoist is a special product with large hoisting capacity, compact structure and stable operation. It can be widely used in factory, mine, port, warehouse, power station, etc.

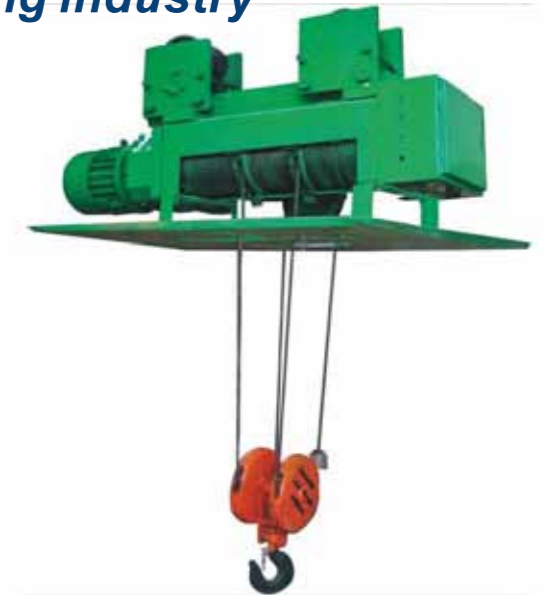


- Lifting capacity: 20-63T
- Lifting height : 6-40m
- Work duty : M3 ,M4,M5
- Ambient temperature: -20~+40°C
- Operate type: Pendant handle or remote

## Electric wire rope hoist for casting industry

It is applied to lifting molten metal or other high temperature solid-state items. It can be as lifting mechanism of the single girder crane, single girder suspension crane and double girder with hoist crane. It can be used independently installed on the fixed overhead track. It is a kind of special lifting equipment used in small and medium-sized metallurgical workplace.

- Lifting capacity: 2-10T
- Lifting height : 9-20m
- Work duty : M6
- Ambient temperature: -10~+60°C
- Operate type: Pendant handle or remote



## Ex-proof electric wire rope hoist

Can be hanged on the I beam rail and do straight or curve operation. Can be installed on the fixed support as a use of weight lifting. Can be equipped with explosion-proof single-girder and double-girder. EX-proof Model Electric Hoist is specially used in the space which full of the explosive mixture. Because of its sparkle proof materials, it can ensure workers safety effectively.

- Lifting capacity: 0.5-16T
- Lifting height : 6-18m
- Work duty : M3
- Ambient temperature: -20~+40°C



## low headroom electric wire rope hoist

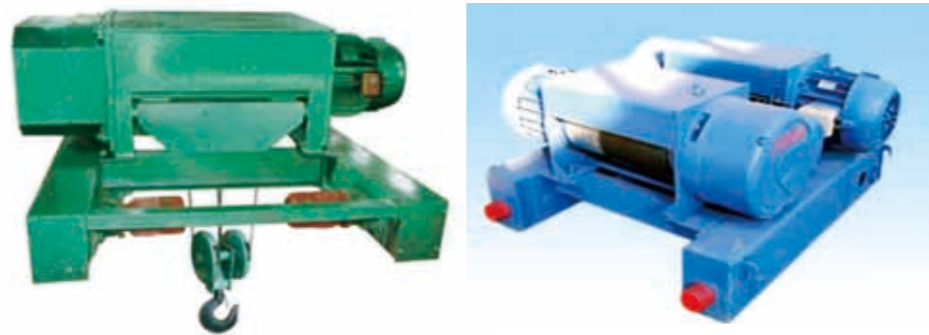
Low-headroom Model Electric Hoist is mainly set on the single girder overhead cranes to lift cargoes. Because of its special placement in the girder, it can lift more 200~500mm than normal hoists. Therefore, it is widely used in the places which height is limited.



# Trolley & Winch

Trolley is widely used on the double girder cranes.

## ■ 1. LH model double girder hoist trolley

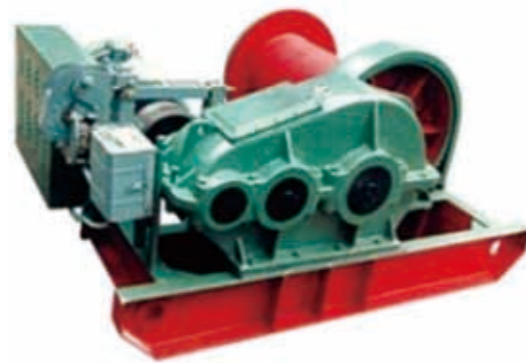


## ■ 2. QD model double girder hoist trolley



## ■ 3. winch

Winch is a kind of set pulled by drum and rope to lift cargoes straightly and pull cargoes flatly or obliquely. It is widely used in dock, bridge and port to pull, push, load and unload cargoes.



# Transfer car

Transfer carts are used: to carry loads along assembly lines; transfer material from one work station to the next; store and transport an entire shift worth of production. They can even be used as a stable yet moveable machine base.





# Spare parts

We not only supply total sets crane, also supply spare parts of crane.

## Hook



## Winch



## Drum



## Remote



## Grad



## Wheel



## Cabin

# Customer Visit

Our factory(Henan Xinxiang Kuangshan Crane Co., Ltd.) founded in 1984 year, who started build export department in 2009 year.

Up to now, we have export our products to more than 34 countries, such as Russia, India, Kazakhstan, Nigeria, United Kingdom, Tanzania, Bolivia, Ecuador, etc.



South Africa customer



United Kingdom customer



Saudi Arabia customer



Ukraine customer

# Installation

When export crane, we use professional export package, and we also have professional engineer help you install the crane.



Hoist package



Overhead crane package



Our installation terms install 150t gantry crane in russia



Eight sets jib crane been installed in peru